

ASSEMBLY AND INSTALLATION INSTRUCTIONS FOR

ITEM #176-8/# 177-8

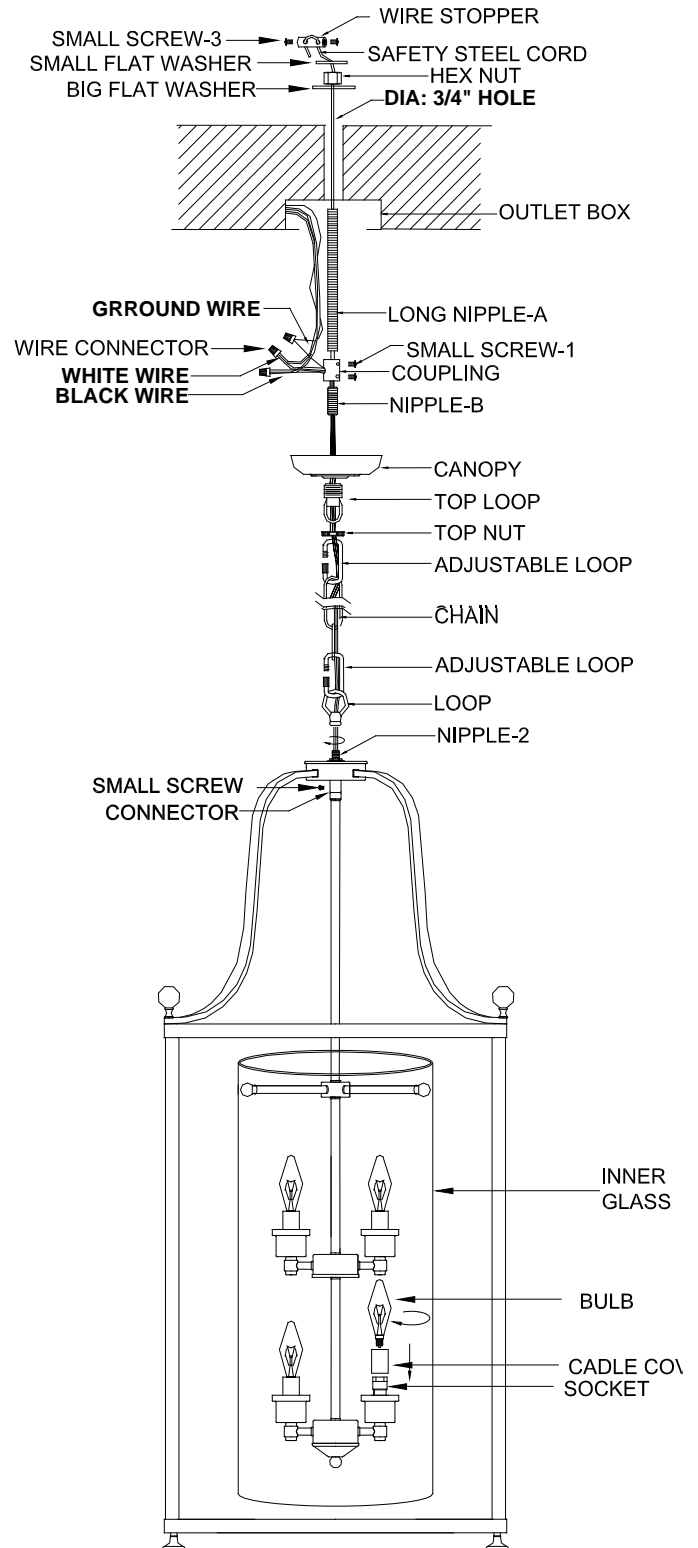
WARNING:

TO AVOID RISK OF ELECTRICAL SHOCK, BE SURE TO SHUT OFF POWER WHILE INSTALLING OR SERVICING THIS FIXTURE.

NOTE: Should any difficulty be experienced, please consult a qualified electrician before installing.

Warning:

Before installing the fixture, please make sure you have followed up the Inner Glass Assembly Instructions to install the Inner Glass to the Central Connector.



CORD STOPPER

