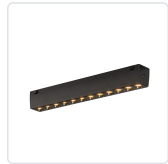


HOLO
TRF39710
 MULTI-CELL

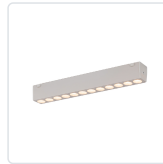
PROJECT



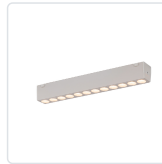
TRF39710-BK-4K
Black



TRF39710-BK
Black



TRF39710-WH-4K
White



TRF39710-WH
White

SPECIFICATION DETAILS

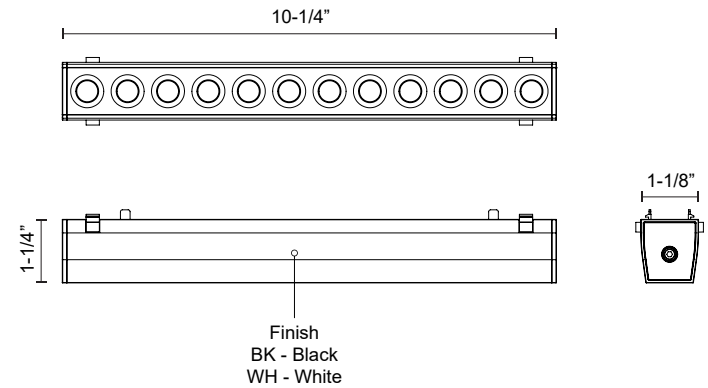
Fixture Dimensions	L10-1/4" x W1-1/8" x H1-1/4"
Light Source	Low Voltage LED
Wattage	12W
Total Lumens	1020lm
Delivered Lumens	BK-803lm (@3000K); BK-840lm* (@4000K); WH-820lm* (@3000K); WH-855lm* (@4000K)
Voltage	48V, with DC Class 2 LED driver (see available canopy/driver options)
Color Temperature	3000K; 4000K;
CRI (Ra)	90CRI
LED Rated Life	50,000 hours
Location	Dry
CEC Title 24 JA8	Yes, JA8-2022
Illumination Direction	Downlight
Material	Aluminum + Polymeric Material
Mounting	Ceiling and Wall Mount, All Orientation
Paint Finish	BK02; WH02

* For custom options, consult factory for details.

* For warranty information, please visit www.kuzcolighting.com/warranty

DESCRIPTION

Introducing the Holo track head for the Kuzco Trilo track system. This multi-cell design provides ample downwards illumination along any configuration of the Trilo track system. Available in two sizes to fit the needs of your space.



KUZCO

CANADA: 19054 28TH AVENUE - SURREY, BC V3Z 6M3
 USA: 3035 E. LONE MOUNTAIN ROAD - LAS VEGAS, NV 89081

WWW.KUZCOLIGHTING.COM

© 2024 KUZCO LIGHTING. ALL RIGHTS RESERVED.

COMMENT

